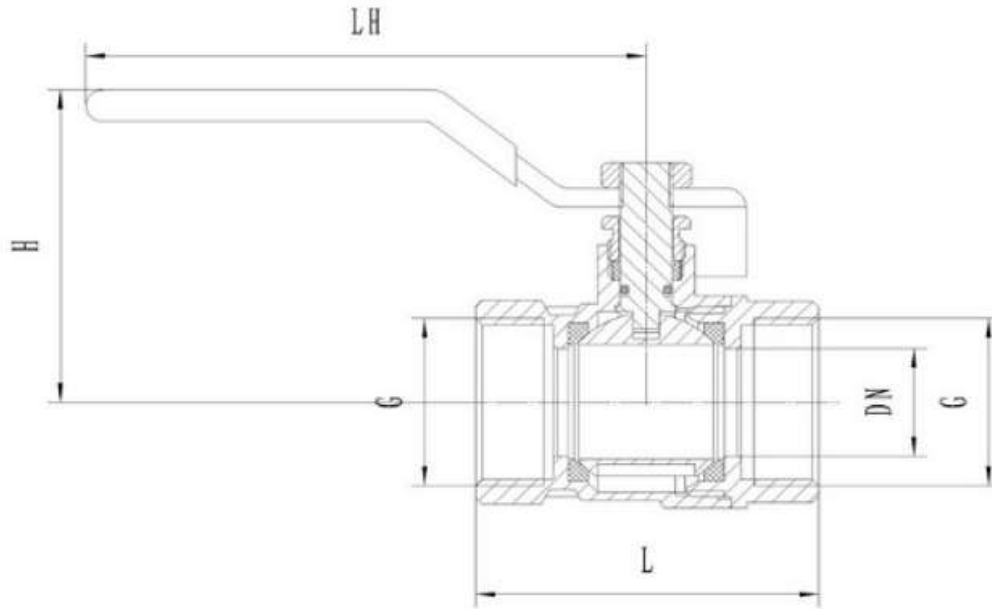


Technical specifications for Hydro-S ball valve FxF



ball valve to Hydro-S
 working pressure: 25bar
 working temperature: Max 110°C
 pipe thread to: BS thread

Size	3/8"	1/2"	3/4"	1"	1 1/4"	1 1/2"	2"	2 1/2"	3"	4"
L	43	46	52	63.5	70	81	91.5	123	139	152
DN	10	14	18	23	27	35	43	58	69	80
G	G3/8"	G1/2"	G3/4"	G1"	G1 1/4"	G 1 1/2"	G2"	G2 1/2"	G3"	G4"
LH	75	86	86	103	118	150	150	200	225	225
H	33	46	51	56	63.5	81	88	115	127	135