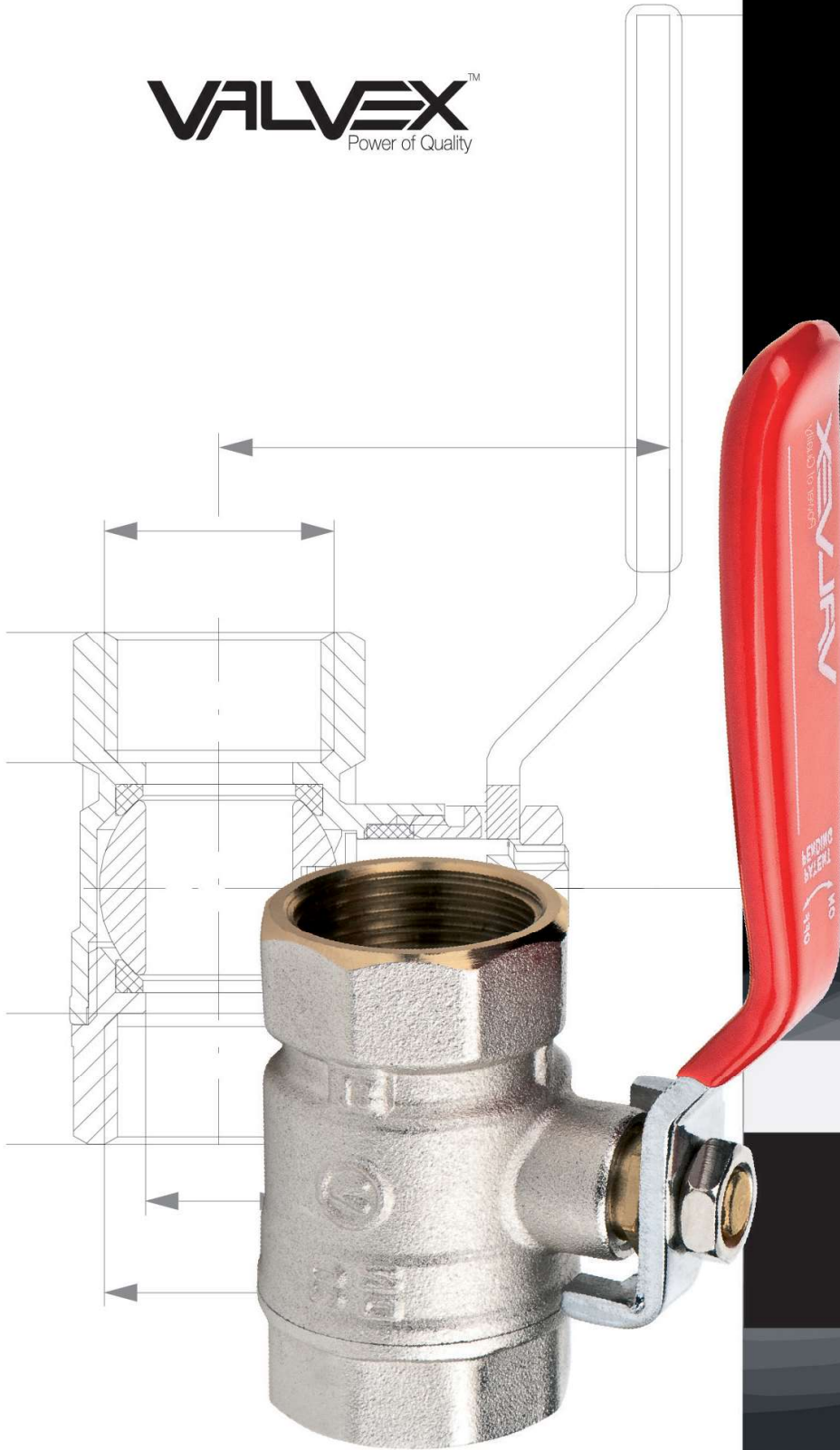


VALVEX[™]
Power of Quality



ONYX valve

PN 40
180°C

**NICKEL
free**

POWER OF
QUALITY





ONYX Full-port ball valve with nut on stem and steel lever (female-female version)

CODE	P nom. / max temp.	SIZE
1451320	PN40, 180°C	3/8"
1452320	PN40, 180°C	1/2"
1453320	PN40, 180°C	3/4"
1454320	PN40, 180°C	1"
1455320	PN30, 180°C	1 1/4"
1456320	PN30, 180°C	1 1/2"
1457320	PN30, 180°C	2"



ONYX Full-port ball valve with nut on stem, with tail piece and steel lever

CODE	P nom. / max temp.	SIZE
1452420	PN40, 180°C	1/2"
1453420	PN40, 180°C	3/4"
1454420	PN40, 180°C	1"



ONYX Full-port ball valve with nut on stem and steel lever (female-male version)

CODE	P nom. / max temp.	SIZE
1451460	PN40, 180°C	3/8"
1452460	PN40, 180°C	1/2"
1453460	PN40, 180°C	3/4"
1454460	PN40, 180°C	1"
1455460	PN30, 180°C	1 1/4"
1456460	PN30, 180°C	1 1/2"
1457460	PN30, 180°C	2"



ONYX Full-port ball valve with nut on stem and aluminium butterfly handle (female-female version)

CODE	P nom. / max temp.	SIZE
1452400	PN40, 180°C	1/2"
1453400	PN40, 180°C	3/4"
1454400	PN40, 180°C	1"



ONYX Full-port ball valve with nut on stem, with tail piece and aluminium butterfly handle

CODE	P nom. / max temp.	SIZE
1452440	PN40, 180°C	1/2"
1453440	PN40, 180°C	3/4"
1454440	PN40, 180°C	1"



ONYX Full-port ball valve with nut on stem and aluminium butterfly handle (female-male version)

CODE	P nom. / max temp.	SIZE
1451480	PN40, 180°C	3/8"
1452480	PN40, 180°C	1/2"
1453480	PN40, 180°C	3/4"
1454480	PN40, 180°C	1"



ONYX Full-port ball valve with nut on stem and steel lever (male-male version)

CODE	P nom. / max temp.	SIZE
1452470	PN40, 180°C	1/2"
1453470	PN40, 180°C	3/4"
1454470	PN40, 180°C	1"

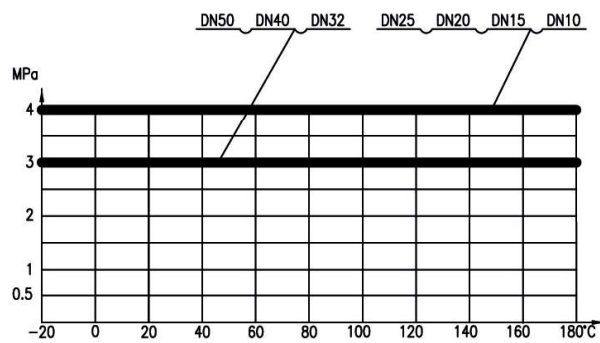


ONYX Full-port ball valve with nut on stem and aluminium butterfly handle (male-male version)

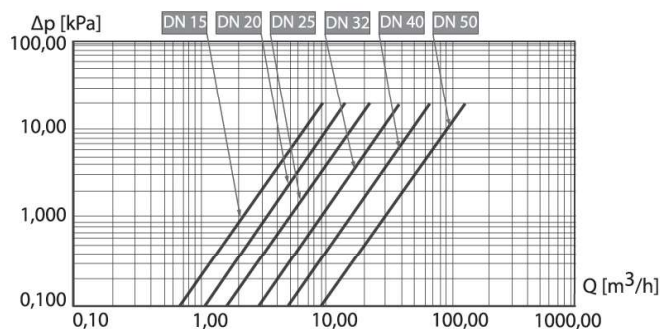
CODE	P nom. / max temp.	SIZE
1452430	PN40, 180°C	1/2"
1453430	PN40, 180°C	3/4"
1454430	PN40, 180°C	1"

VALVEXTM
Power of Quality

Valvex S.A., ul. Nad Skawą 2, 34-240 Jordanów, Poland
tel. +48 18 269 32 20, 269 32 49, fax +48 18 269 32 11
e-mail: valvex@valvex.com



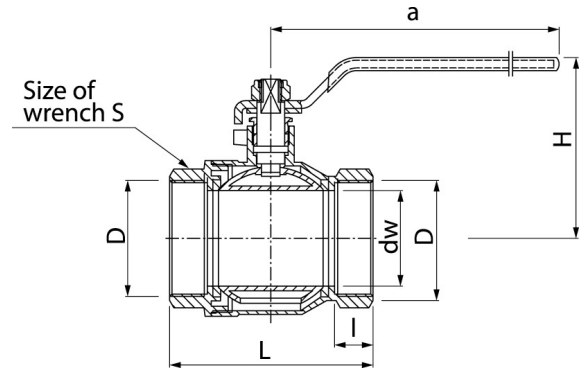
operating characteristic



flow rate

Ball valves ONYX

Nickel plated full-port ball valve with nut on stem and steel lever (female-female version)



DN	Code	Dimensions								EAN13
		Size	D	I	dw	L	a	H	S	
65	9007930	2 1/2"	G2 1/2	24	62	136	236	110	82	5907451936931
80	9007920	3"	G3	26	74	150	236	119	93	5907451936924
100	9007910	4"	G4	28	85	172	240	136	120	5907451936917

Product usage:

In cold and hot water systems and central heating systems as shut off valves

Type:

Straight ball valves

Guarantee:

25-year

Technical data/Operating parameters:

Max pressure: 1,6 MPa,
Max temperature: 95°C

Used materials:

body, nut, ball, stem, adjustable stem nut: brass;
ball and stem seal: PTFE (teflon);
lever: carbon steel with plastic coating

Finish:

body, nut: nickel; ball: chrome